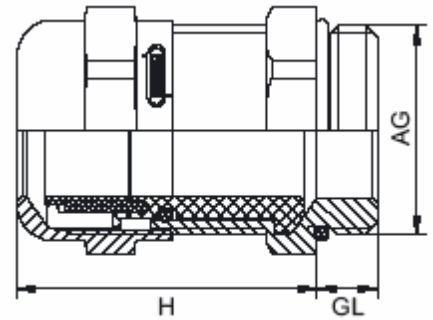


## VSD Gland

### Description

- Use for Varolex cables



### Construction

Material	Nickel plated brass
Clamping insert	Metal coated PA (Nylon)
Seal	Buna-N
O-Ring	Buna-N
Protection	IP 68-10 bar / IP 69K (within the specified clamping range)
Operating Temperature	-40°C - 100°C (-40°F - 212°F)

### Product List

Nexans ref.	Gland Size	Cable Dia (mm)		AG (mm)	GL (mm)	H (mm)	Shroud Ref
		Min	Max				
G020	25	13.0	18.0	M 25 x 1.5	12	39	06

Assembly Instructions

**Option 1**

**Feed-through of cable and shield (braided or foil)**

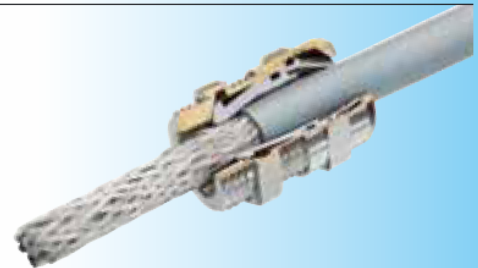
- + Expose shield approximately 7/16" (10 mm)
- + Insert cable into fitting until the shield reaches the contact position
- + Tighten dome nut



**Option 2**

**Feed-through of shield (braided or foil)**

- + Remove cable jacket to expose the shield as required
- + Insert cable into fitting until the shield reaches the contact position
- + Tighten dome nut



**Option 3**

**Termination of the braided shield in the fitting**

- + Strip cable jacket and braided shield to different lengths
- + For small diameter cables fold the braided shield back over the cable jacket
- + Insert cable into fitting until the shield reaches the contact position
- + Tighten dome nut

